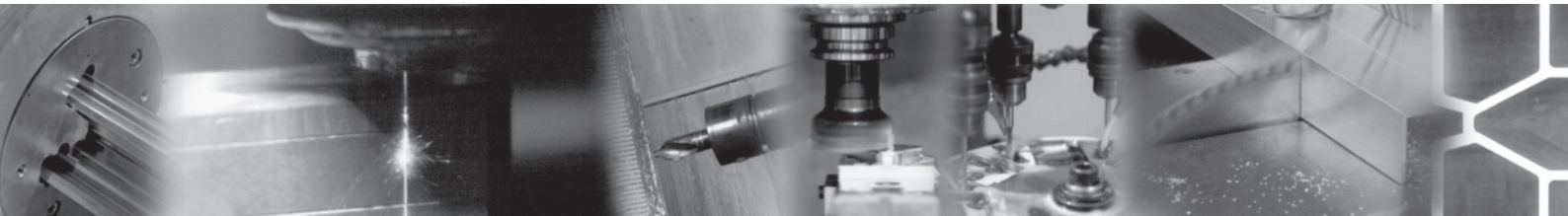




# Aluminium

Composite Materials



mejo Metall Josten GmbH & Co. KG  
Bublitzer Straße 23  
40599 Düsseldorf  
Germany

Tel.: +49 (0)221 / 9 98 90 - 0  
E-Mail: [cnt@mejo.de](mailto:cnt@mejo.de)



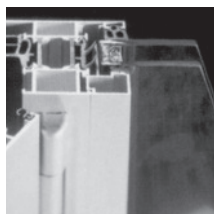
**Metall Josten**

Internet  
[www.mejo.com](http://www.mejo.com)  
[www.mejo.de](http://www.mejo.de)  
[www.alucore.nrw](http://www.alucore.nrw)



**mejo Metall Josten**

## Aluminium for Midsized Companies since 1932



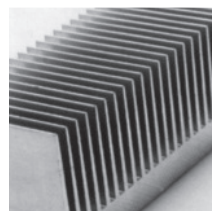
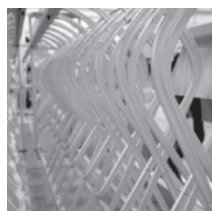
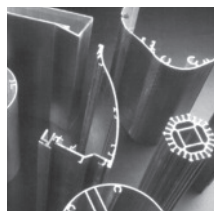
The Metall Josten is a supplier of aluminum profiles and composite materials. Since 1932 we are already dealing with the possibilities of the material, but above all with

extrusion and honeycomb technology.

Today we access a range of 30 extrusion presses with compressive forces between 600 and 8000 tons and are one of the most important addresses for commercial honeycomb composite technology in Germany. With the above-mentioned machines, the suitable extrusion press is available for almost every profile size and with a large stock of honeycomb panels, we are the first contact for industrial lightweight construction.

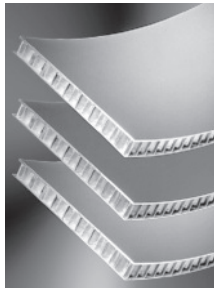
Our service covers the entire spectrum around the aluminum profile and the composite panel:

- Conception and development
- Eloxal and powder coating
- Tooling
- Packing
- Production and sales
- Storage
- Mechanical processing
- Neutral delivery



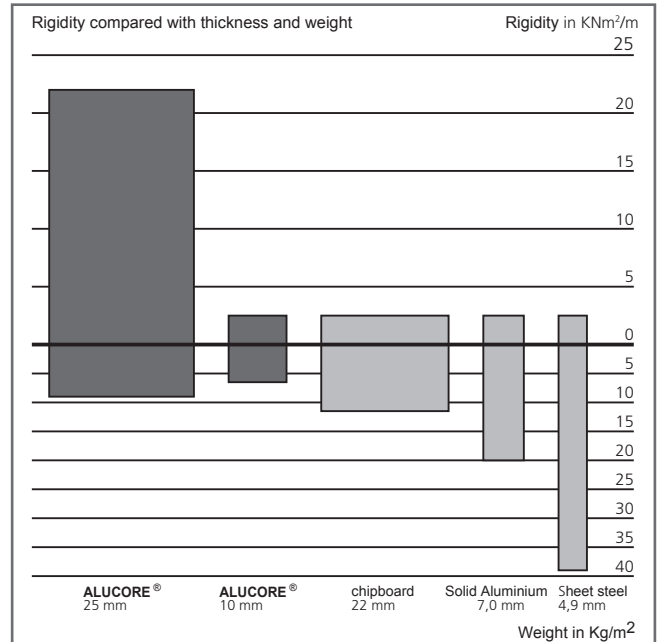
# ALUCORE®

## Aluminium composite panel with a honeycomb core



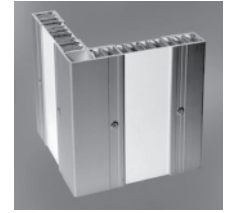
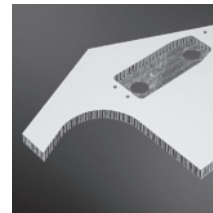
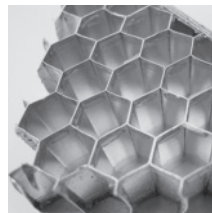
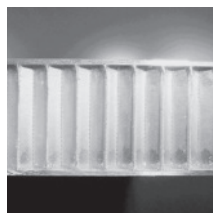
ALUCORE® is an aluminium sandwich-type panel with high rigidity and extremely low weight. In contrast to conventional honeycom composite panels, the systems components, i.e. the "aluminium core" and the coil-coated "aluminium cover sheets"

are bonded in a continuous process. The advantages are product quality and surface evenness; the material does not become brittle-hard but shows tough and resilient properties and excellent peel strength. ALUCORE® is the ideal material for a host of applications in transport, architecture or industrial production.



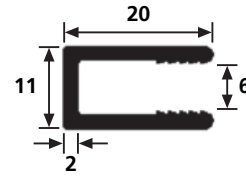
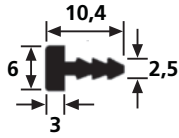
## Produkt Range

| Width mm                                | Length mm | Standard thickness [mm] |                       |                       |                       |                       |                       |
|---|-----------|-------------------------|-----------------------|-----------------------|-----------------------|-----------------------|-----------------------|
|   |           | 5,5 mm                  | 6 mm                  | 10 mm                 | 15 mm                 | 20 mm                 | 25 mm                 |
| 1500                                    | 2050      | ●                       | ●                     | ●                     | ●                     | ●                     | ●                     |
|   | 2500      | ●                       | ●                     | ●                     | ●                     | ●                     | ●                     |
|   | 3050      | ●                       | ●                     | ●                     | ●                     | ●                     | ●                     |
|   | 5050      | ●                       | ●                     | ●                     | ●                     | ●                     | ●                     |
|   | 6250      | ●                       | ●                     | ●                     | ●                     | ●                     | ●                     |
| 1250                                    | 2050      | ●                       | ●                     | ●                     | ●                     | ●                     | ●                     |
|   | 2500      | ●                       | ●                     | ●                     | ●                     | ●                     | ●                     |
|   | 3050      | ●                       | ●                     | ●                     | ●                     | ●                     | ●                     |
|   | 5050      | ●                       | ●                     | ●                     | ●                     | ●                     | ●                     |
|   | 6250      | ●                       | ●                     | ●                     | ●                     | ●                     | ●                     |
| <b>Weight</b>                           |           | 3,3 kg/m <sup>2</sup>   | 4,7 kg/m <sup>2</sup> | 5,0 kg/m <sup>2</sup> | 6,7 kg/m <sup>2</sup> | 7,0 kg/m <sup>2</sup> | 7,3 kg/m <sup>2</sup> |
| <b>Cover sheet thickness front/rear</b> |           | 0,5 / 0,5               | 1,0 / 0,5             | 1,0 / 0,5             | 1,0 / 1,0             | 1,0 / 1,0             | 1,0 / 1,0             |
| <b>Surface Laquering</b>                |           | platinum white          | platinum white        | platinum white        | platinum white        | platinum white        | platinum white        |



# Produkt Range - Aluminium Special Sections

## ALUCORE® 6 mm

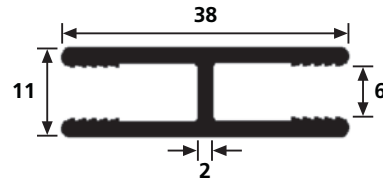
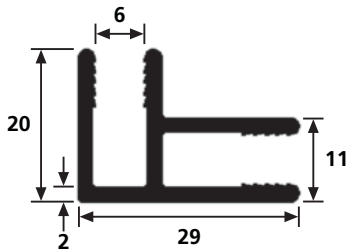


### T-Edging Section approx. ± 0,079 kg/m

| Item mejo | Surface        | Length |
|-----------|----------------|--------|
| 10 000 85 | anodized E6EV1 | 6 m    |

### U-Edging Section approx. ± 0,275 kg/m

| Item mejo | Surface        | Length |
|-----------|----------------|--------|
| 10 002 60 | blank          | 6 m    |
| 10 001 64 | anodized E6EV1 | 6 m    |

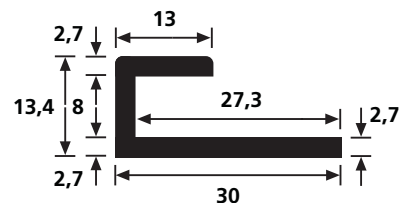
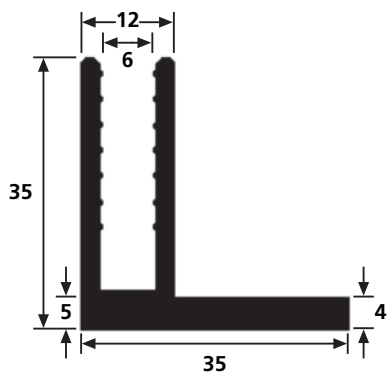


### Corner-joint-section approx. ± 0,470 kg/m

| Item mejo | Surface        | Length |
|-----------|----------------|--------|
| 10 000 43 | anodized E6EV1 | 6 m    |

### H-Butt-joint Section approx. ± 0,470 kg/m

| Item mejo | Surface        | Length |
|-----------|----------------|--------|
| 10 000 33 | anodized E6EV1 | 6 m    |



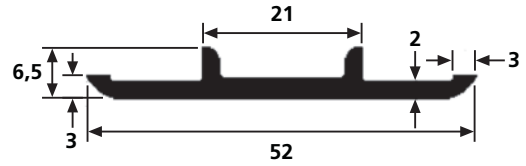
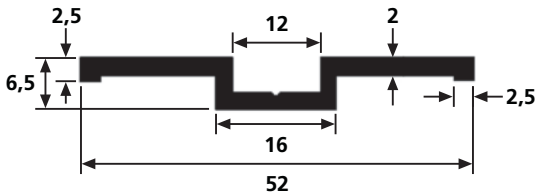
### Border Section approx. ± 0,820 kg/m

| Item mejo | Surface | Length |
|-----------|---------|--------|
| 10 001 65 | blank   | 6 m    |

### Edge Section approx. ± 0,371 kg/m

| Item mejo | Surface | Length |
|-----------|---------|--------|
| 90 10 99  | blank   | 6 m    |

# ALUCORE® 6 mm



## Butt-joint Sections 2-pieces approx. ± 0,335 kg/m

| Item mejo | Surface | Length |
|-----------|---------|--------|
| 10 001 67 | blank   | 6 m    |

## Butt-joint Sections 2-pieces approx. ± 0,351 kg/m

| Item mejo | Surface | Length |
|-----------|---------|--------|
| 10 001 68 | blank   | 6 m    |

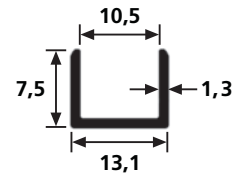
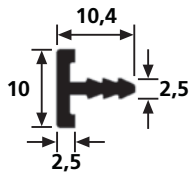
\_\_\_\_\_  
*If you can dream it, you can do it. (Walt Disney)*  
 \_\_\_\_\_

The extrusion technology allows an incredible variety of shapes and functions to be integrated into a profile. If you can not find your desired profile, we can press almost any desired cross section.

Contact us:

Telefon +49 (0)221 / 9 98 90 - 0  
 Telefax +49 (0)221 / 9 98 90 - 15  
 E-Mail eip@mejo.de

# ALUCORE® 10 mm

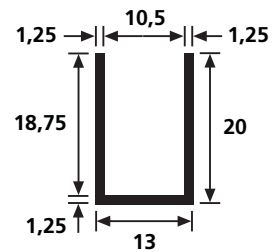
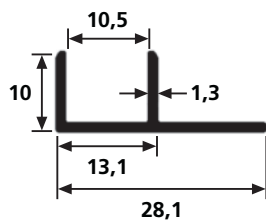


## T-Edging Section approx. ± 0,105 kg/m

| Item mejo | Surface        | Length |
|-----------|----------------|--------|
| 10 000 86 | anodized E6EV1 | 6 m    |

## U-Edging Section approx. ± 0,086 kg/m

| Item mejo | Surface        | Length |
|-----------|----------------|--------|
| 10 000 00 | anodized E6EV1 | 6 m    |

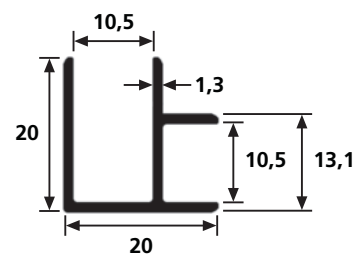
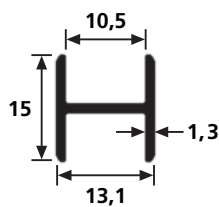


## F-Edging Section approx. ± 0,140 kg/m

| Item mejo | Surface        | Length |
|-----------|----------------|--------|
| 10 000 01 | anodized E6EV1 | 6 m    |

## U-Edging Section approx. ± 0,171 kg/m

| Item mejo | Surface | Length |
|-----------|---------|--------|
| 90 10 10  | blank   | 6 m    |



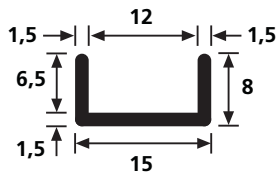
## H-Butt-joint Section approx. ± 0,138 kg/m

| Item mejo | Surface        | Length |
|-----------|----------------|--------|
| 10 002 18 | anodized E6EV1 | 6 m    |

## Corner-joint-section approx. ± 0,221 kg/m

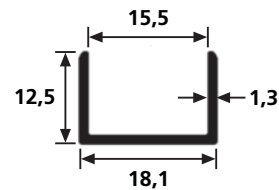
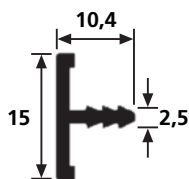
| Item mejo | Surface        | Length |
|-----------|----------------|--------|
| 10 001 19 | anodized E6EV1 | 6 m    |

# ALUCORE® 10 mm



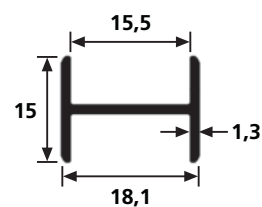
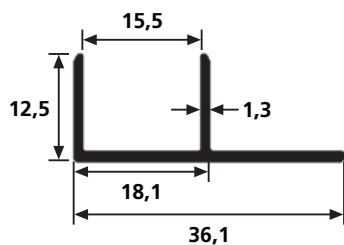
| U-Edging Section |         | approx. ± 0,111 kg/m |
|------------------|---------|----------------------|
| Item mejo        | Surface | Length               |
| 11 007 57        | blank   | 6 m                  |

# ALUCORE® 15 mm



| T-Edging Section |                | approx. ± 0,132 kg/m |
|------------------|----------------|----------------------|
| Item mejo        | Surface        | Length               |
| 10 002 59        | blank          | 6 m                  |
| 10 000 87        | anodized E6EV1 | 6 m                  |

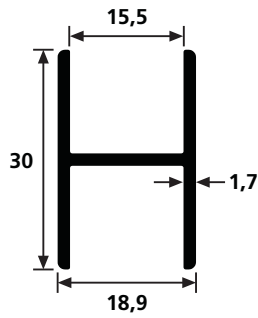
| U-Edging Section |                | approx. ± 0,138 kg/m |
|------------------|----------------|----------------------|
| Item mejo        | Surface        | Length               |
| 10 001 50        | anodized E6EV1 | 6 m                  |



| F-Edging Section |                | approx. ± 0,219 kg/m |
|------------------|----------------|----------------------|
| Item mejo        | Surface        | Lenth                |
| 10 001 69        | anodized E6EV1 | 6 m                  |

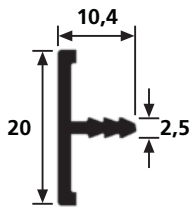
| H-Butt-joint Section |                | approx. ± 0,165 kg/m |
|----------------------|----------------|----------------------|
| Item mejo            | Surface        | Length               |
| 10 002 19            | anodized E6EV1 | 6 m                  |

# ALUCORE® 15 mm

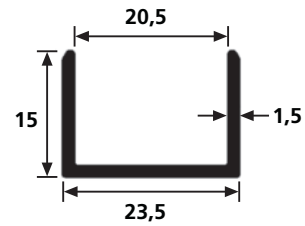


| H-Butt-joint Section |                | approx. ± 0,401 kg/m |
|----------------------|----------------|----------------------|
| Item mejo            | Surface        | Length               |
| 10 002 90            | anodized E6EV1 | 6 m                  |

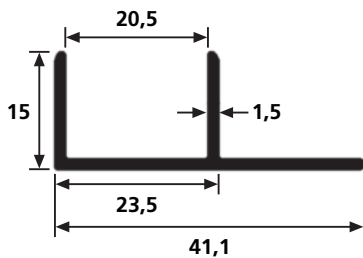
# ALUCORE® 20 mm



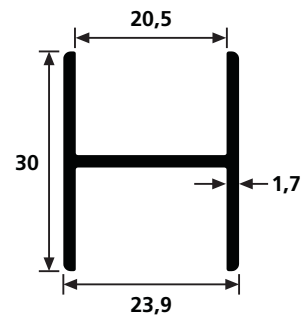
| T-Edging Section |                | approx. ± 0,156 kg/m |
|------------------|----------------|----------------------|
| Item mejo        | Surface        | Length               |
| 10 001 06        | anodized E6EV1 | 6 m                  |



| U-Edging Section |                | approx. ± 0,200 kg/m |
|------------------|----------------|----------------------|
| Item mejo        | Surface        | Length               |
| 10 001 70        | anodized E6EV1 | 6 m                  |



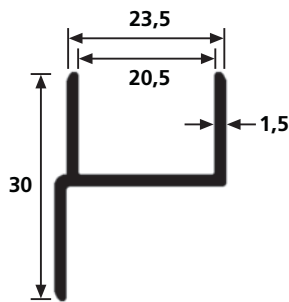
| F-Edging Section |                | approx. ± 0,281 kg/m |
|------------------|----------------|----------------------|
| Item mejo        | Surface        | Length               |
| 10 001 71        | anodized E6EV1 | 6 m                  |



| H-Butt-joint Section |                | approx. ± 0,200 kg/m |
|----------------------|----------------|----------------------|
| Item mejo            | Surface        | Length               |
| 10 002 89            | anodized E6EV1 | 6 m                  |

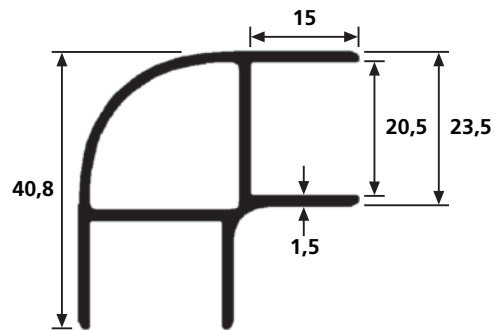


# ALUCORE® 20 mm



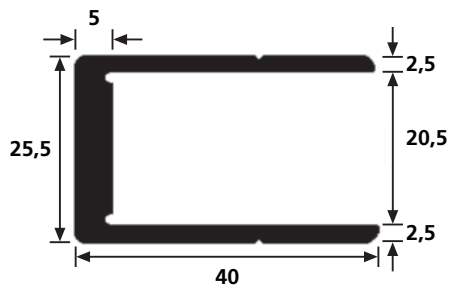
**Edge Section** approx. ± 0,267 kg/m

| Item mejo | Surface        | Length |
|-----------|----------------|--------|
| 10 001 72 | anodized E6EV1 | 6 m    |



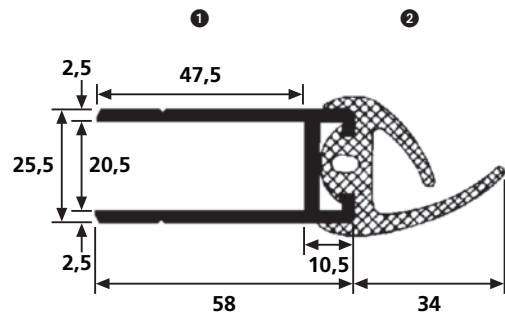
**Corner-joint-section** approx. ± 0,602 kg/m

| Item mejo | Surface        | Length |
|-----------|----------------|--------|
| 10 001 73 | anodized E6EV1 | 6 m    |



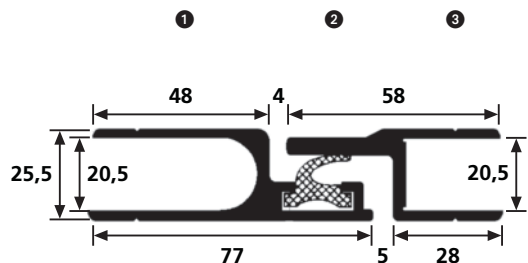
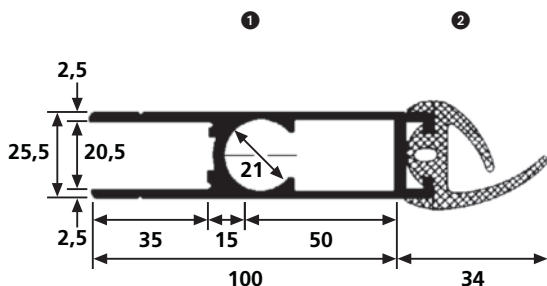
**U-Edging Section** approx. ± 0,80 kg/m

| Item mejo | Surface | Length |
|-----------|---------|--------|
| 10 001 78 | blank   | 6,5 m  |



**Door fitting Section** approx. ±

| Item mejo     | Surface        | Length | kg/m |
|---------------|----------------|--------|------|
| (1) 10 001 79 | blank          | 6,5 m  | 0,99 |
| (2) 10 001 80 | profiled joint | 6,5 m  | 0,54 |



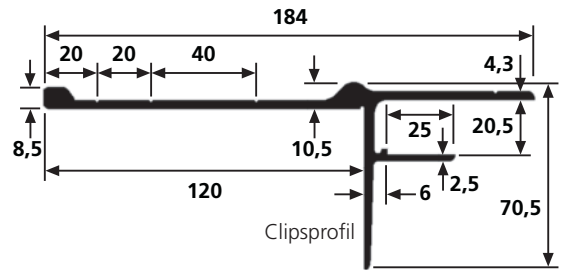
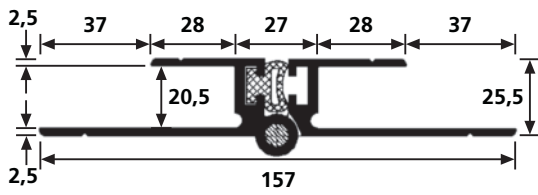
**Door fitting Section** approx. ±

| Item mejo     | Surface        | Length | kg/m |
|---------------|----------------|--------|------|
| (1) 10 001 81 | blank          | 6,5 m  | 1,83 |
| (2) 10 001 80 | profiled joint | 6,5 m  | 0,54 |

**Door fitting Section** approx. ±

| Item mejo     | Surface        | Length | kg/m |
|---------------|----------------|--------|------|
| (1) 10 001 82 | blank          | 6,5 m  | 1,33 |
| (2) 10 001 84 | profiled joint | 6,5 m  | 0,19 |
| (3) 10 001 83 | blank          | 6,5 m  | 0,98 |

# ALUCORE® 20 mm



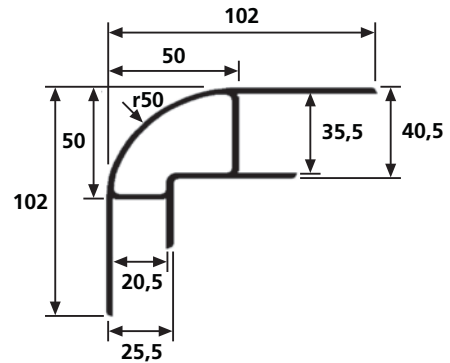
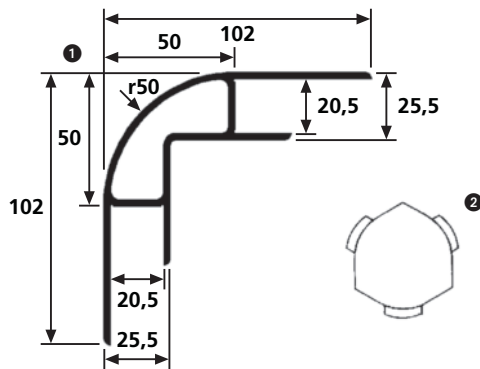
## hinge complete\* approx. ± 2,80 kg/m

| Item mejo | Surface | Length      |
|-----------|---------|-------------|
| 10 001 85 | blank   | 2,4 m / 3 m |

\* with profiled joint

## Border Section approx. ± 2,80 kg/m

| Item mejo | Surface | Length         |
|-----------|---------|----------------|
| 10 001 86 | blank   | 7,5 m / 13,5 m |

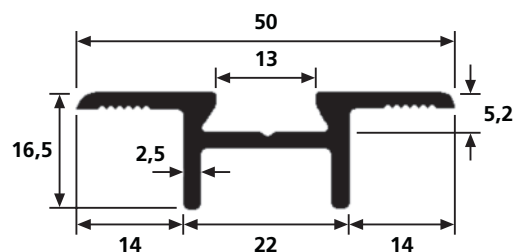
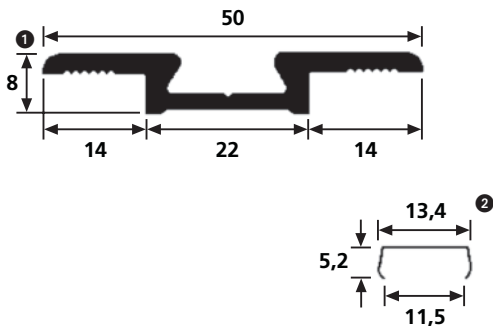


## Corner-joint-section approx. ±

| Item mejo     | Surface | Length  | kg/m | kg/Stk |
|---------------|---------|---------|------|--------|
| (1) 10 001 87 | blank   | 5 / 6 m | 2,18 |        |
| (2) 10 001 88 | blank   |         |      | 0,28   |

## Corner-joint-section approx. ± 2,18 kg/m

| Item mejo | Surface | Length         |
|-----------|---------|----------------|
| 10 001 89 | blank   | 7,5 m / 13,5 m |



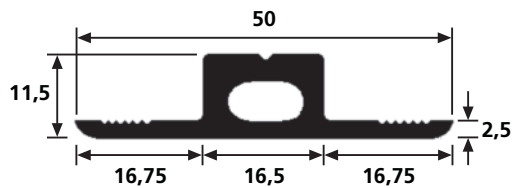
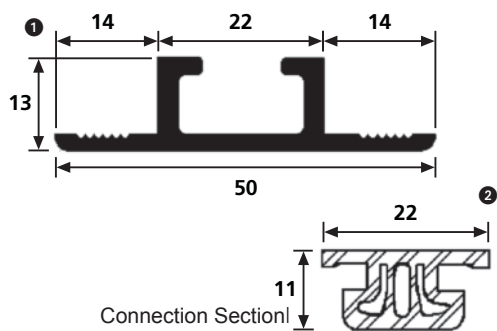
## Butt-joint Sections approx. ±

| Item mejo     | Surface | Length | kg/m |
|---------------|---------|--------|------|
| (1) 10 001 90 | blank   | 6 m    | 0,50 |
| (2) 10 001 91 | blank   | 6 m    |      |

## Butt-joint Sections approx. ± 0,55 kg/m

| Item mejo | Surface | Length |
|-----------|---------|--------|
| 10 001 93 | blank   | 6 m    |

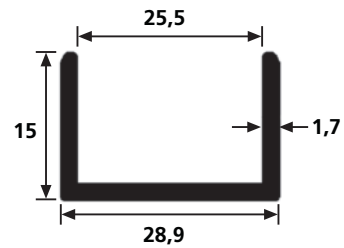
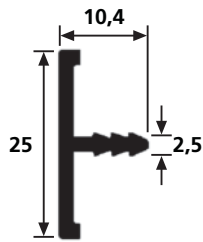
# ALUCORE® 20 mm



| Butt-joint Sections |                | approx. ± |      |
|---------------------|----------------|-----------|------|
| Item mejo           | Surface        | Length    | kg/m |
| (1) 10 001 94       | blank          | 6 m       | 0,51 |
| (2) 10 001 92       | profiled joint | 6 m       |      |

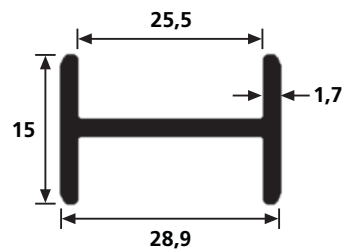
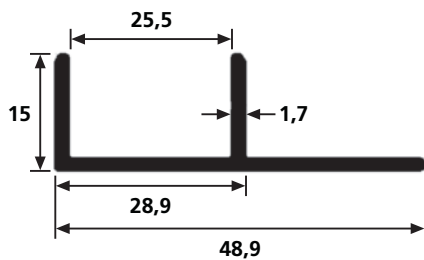
| Butt-joint Sections |         | approx. ± 0,59 kg/m |  |
|---------------------|---------|---------------------|--|
| Item mejo           | Surface | Length              |  |
| 10 001 95           | blank   | 6 m                 |  |

# ALUCORE® 25 mm



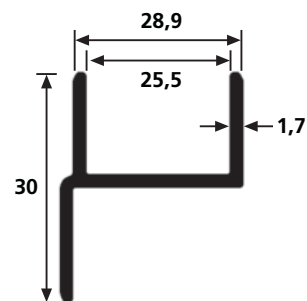
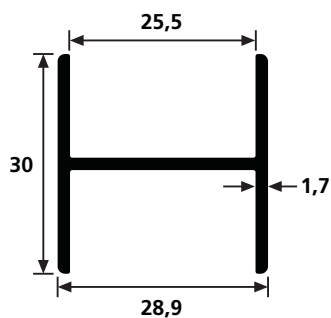
| T-Edging Section |                | approx. ± 0,179 kg/m |
|------------------|----------------|----------------------|
| Item mejo        | Surface        | Length               |
| 10 002 61        | anodized E6EV1 | 6 m                  |
| 10 000 89        | blank          | 6 m                  |

| U-Edging Section |                | approx. ± 0,248 kg/m |
|------------------|----------------|----------------------|
| Item mejo        | Surface        | Length               |
| 10 001 74        | anodized E6EV1 | 6 m                  |



| F-Edging Section |                | approx. ± 0,340 kg/m |
|------------------|----------------|----------------------|
| Item mejo        | Surface        | Length               |
| 10 001 75        | anodized E6EV1 | 6 m                  |

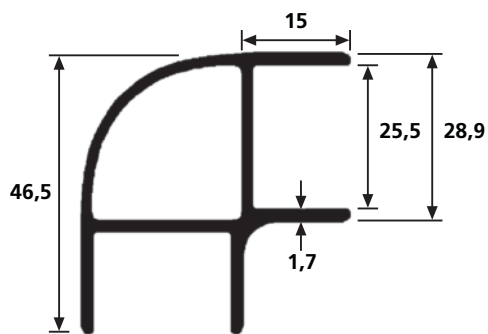
| H-Butt-joint Section |                | approx. ± 0,248 kg/m |
|----------------------|----------------|----------------------|
| Item mejo            | Surface        | Length               |
| 10 002 21            | anodized E6EV1 | 6 m                  |



| H-Butt-joint Section |                | approx. ± 0,427 kg/m |
|----------------------|----------------|----------------------|
| Item mejo            | Surface        | Length               |
| 10 002 88            | anodized E6EV1 | 6 m                  |

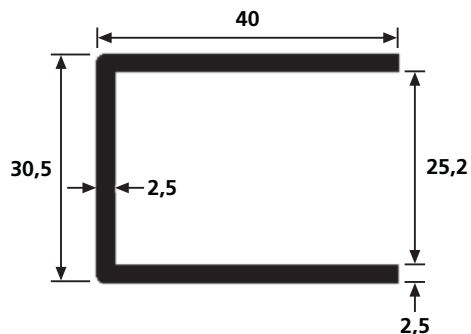
| Edge Section |                | approx. ± 0,324 kg/m |
|--------------|----------------|----------------------|
| Item mejo    | Surface        | Length               |
| 10 001 76    | anodized E6EV1 | 6 m                  |

# ALUCORE® 25 mm



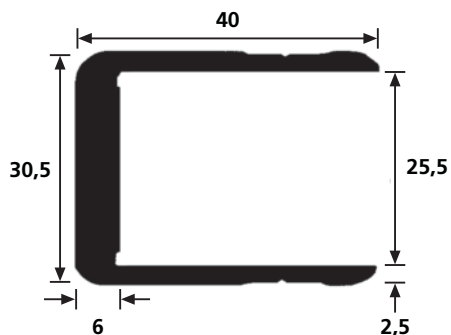
**Corner-joint-section** approx. ± 0,837 kg/m

| Item mejo | Surface        | Length |
|-----------|----------------|--------|
| 10 001 77 | anodized E6EV1 | 6 m    |



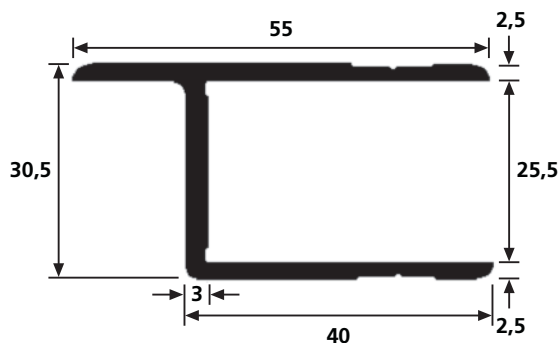
**U-Edging Section** approx. ± 0,71 kg/m

| Item mejo | Surface | Length |
|-----------|---------|--------|
| 10 001 96 | blank   | 6 m    |



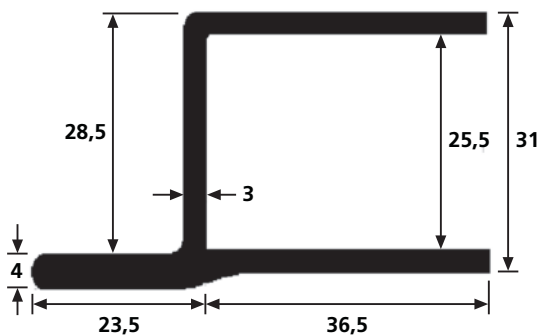
**U-Edging Section** approx. ± 0,89 kg/m

| Item mejo | Surface | Length |
|-----------|---------|--------|
| 10 001 97 | blank   | 7,2 m  |



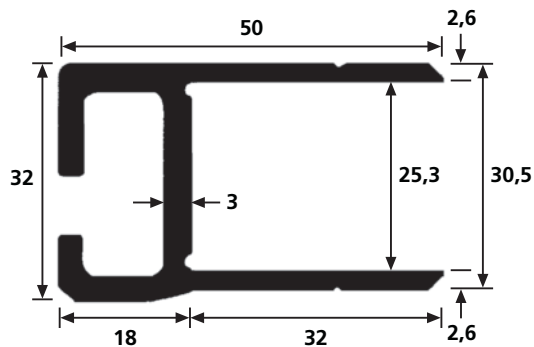
**Door fitting Section** approx. ± 0,80 kg/m

| Item mejo | Surface | Length |
|-----------|---------|--------|
| 10 001 98 | blank   | 6 m    |



**Door fitting Section** approx. ± 1,04 kg/m

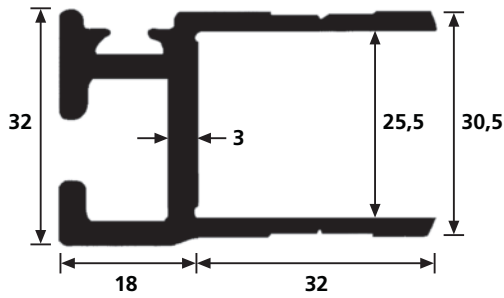
| Item mejo | Surface | Length |
|-----------|---------|--------|
| 10 002 00 | blank   | 6 m    |



**Door fitting Section** approx. ± 1,10 kg/m

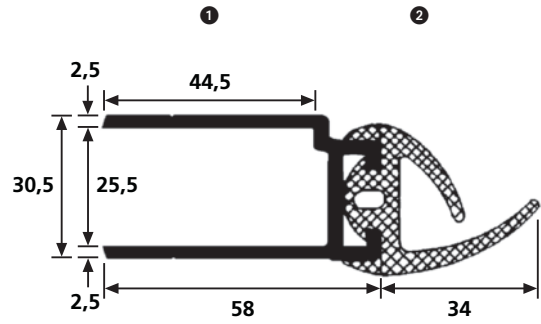
| Item mejo | Surface | Length |
|-----------|---------|--------|
| 10 001 99 | blank   | 7,2 m  |

# ALUCORE® 25 mm



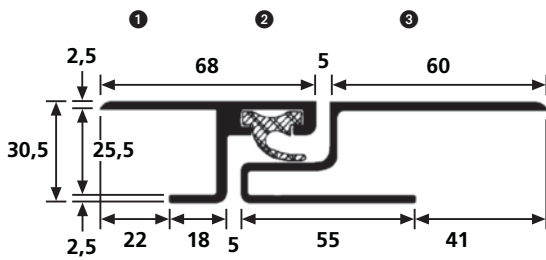
**Door fitting Section** approx. ± 1,11 kg/m

| Item mejo | Surface | Length |
|-----------|---------|--------|
| 10 002 01 | blank   | 7,2 m  |



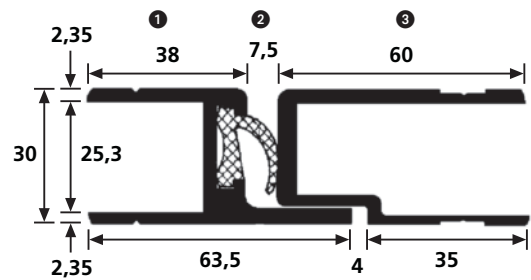
**Door fitting Section** approx. ±

| Item mejo     | Surface        | Length | kg/m |
|---------------|----------------|--------|------|
| (1) 10 002 02 | blank          | 6,5 m  | 1,51 |
| (2) 10 001 80 | rubber profile | 6,5 m  | 0,54 |



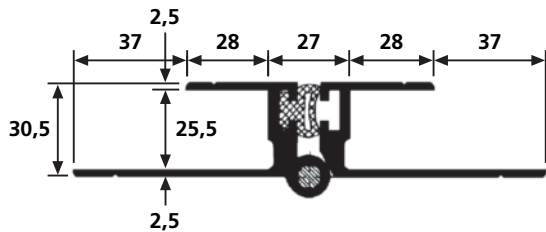
**Door fitting Section** approx. ±

| Item mejo     | Surface        | Length | kg/m |
|---------------|----------------|--------|------|
| (1) 10 002 03 | blank          | 6,5 m  | 1,00 |
| (2) 10 001 84 | rubber profile | 6,5 m  | 0,19 |
| (3) 10 002 04 | blank          | 6,5 m  | 1,24 |



**Door fitting Section** approx. ±

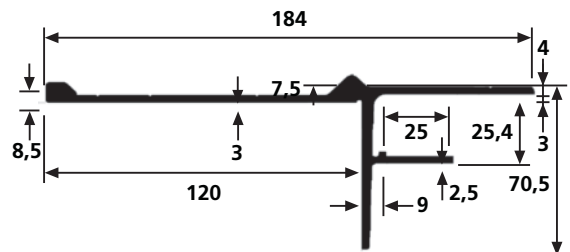
| Item mejo     | Surface        | Length | kg/m |
|---------------|----------------|--------|------|
| (1) 10 002 05 | blank          | 6,5 m  | 1,11 |
| (2) 10 001 84 | rubber profile | 6,5 m  | 0,19 |
| (3) 10 002 06 | blank          | 6,5 m  | 1,00 |



**hinge complete\*** approx. ± 2,93 kg/m

| Item mejo | Surface | Length      |
|-----------|---------|-------------|
| 10 002 07 | blank   | 1,8 m – 3 m |

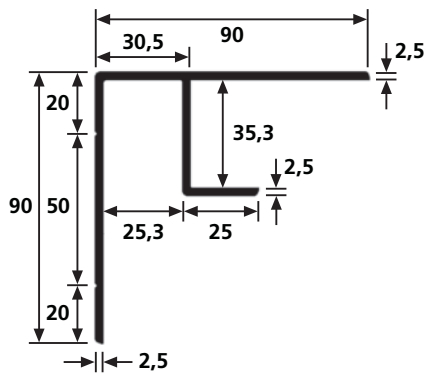
\* with rubber profile



**Joint Sections** approx. ± 2,80 kg/m

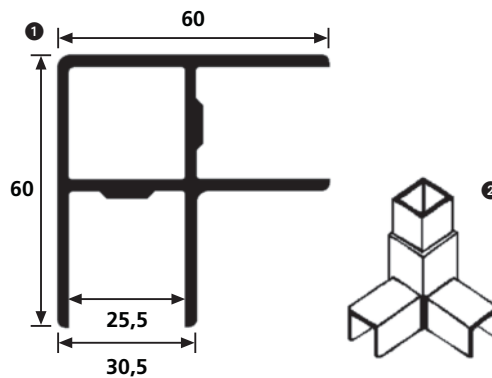
| Item mejo | Surface | Length         |
|-----------|---------|----------------|
| 10 002 08 | blank   | 7,5 m – 12,5 m |

# ALUCORE® 25 mm



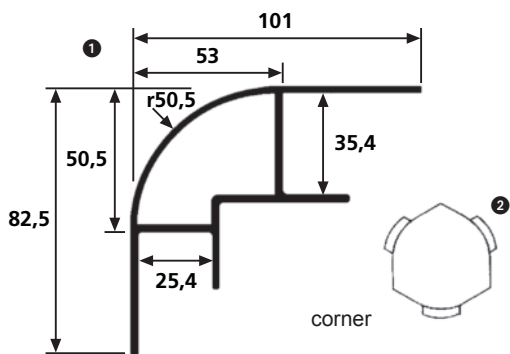
**Corner-joint-section** approx. ± 1,60 kg/m

| Item mejo | Surface | Length |
|-----------|---------|--------|
| 10 002 09 | blank   | 7,5 m  |



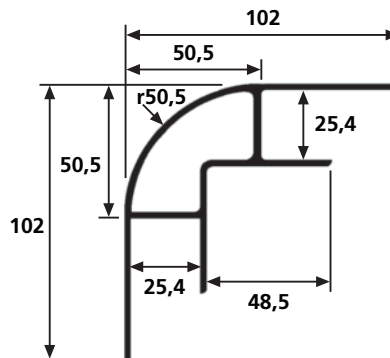
**Corner-joint-section** approx. ±

| Item mejo     | Surface | Length | kg/m | kg/pcs. |
|---------------|---------|--------|------|---------|
| (1) 10 002 10 | blank   | 6 m    | 1,49 |         |
| (2) 10 002 11 | blank   |        |      | 1,04    |



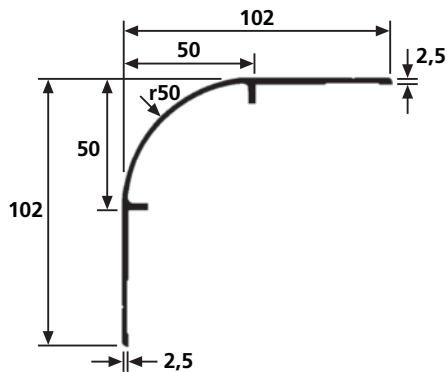
**Corner-joint-section** approx. ±

| Item mejo     | Surface | Length | kg/m | kg/pcs. |
|---------------|---------|--------|------|---------|
| (1) 10 002 12 | blank   | 6 m    | 2,09 |         |
| (2) 10 001 88 | blank   |        |      | 0,28    |



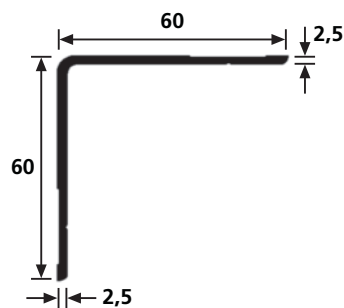
**Corner-joint-section** approx. ± 2,20 kg/m

| Item mejo | Surface | Length |
|-----------|---------|--------|
| 10 002 13 | blank   | 7,5 m  |



**Corner-joint-section** approx. ± 1,25 kg/m

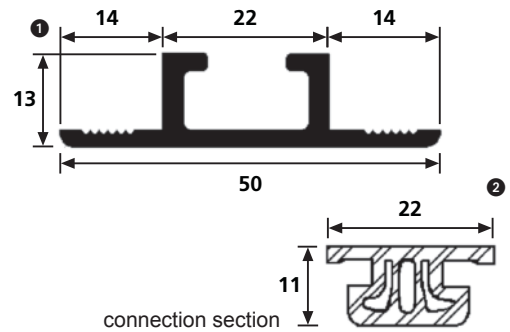
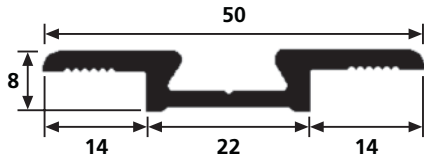
| Item mejo | Surface | Length |
|-----------|---------|--------|
| 10 002 14 | blank   | 7,5 m  |



**Corner-joint-section** approx. ± 0,70 kg/m

| Item mejo | Surface | Length |
|-----------|---------|--------|
| 10 002 15 | blank   | 7,5 m  |

# ALUCORE® 25 mm



| Butt-joint Sections |         | approx. ± 0,50 kg/m |
|---------------------|---------|---------------------|
| Item mejo           | Surface | Length              |
| 10 002 16           | blank   | 6 m                 |

| Butt-joint Sections |                |        | approx. ± |
|---------------------|----------------|--------|-----------|
| Item mejo           | Surface        | Length | kg/m      |
| (1) 10 002 17       | blank          | 6 m    | 0,51      |
| (2) 10 001 92       | rubber profile | 6 m    | 0,17      |



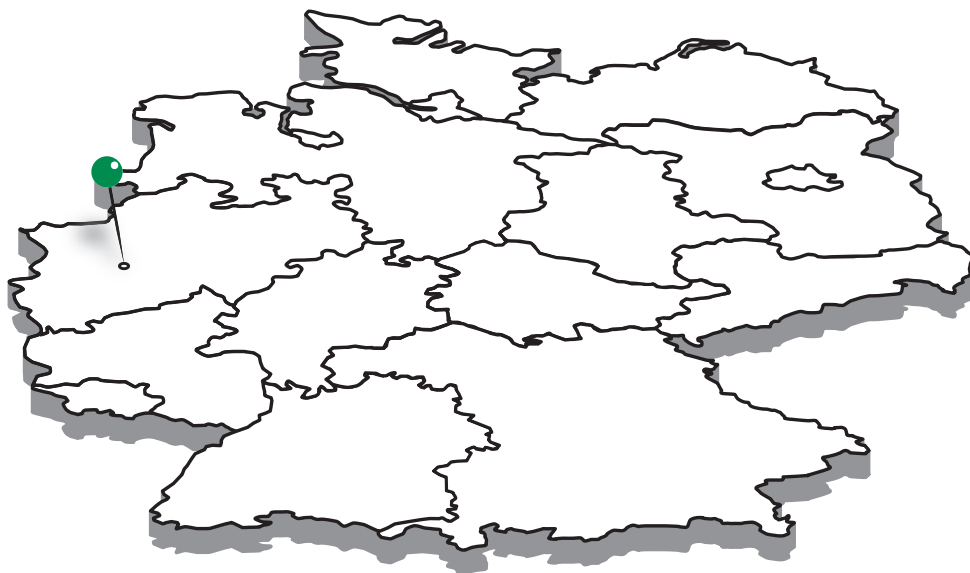
In 1992, we integrated composite materials into our product range. It is the only division outside profile technology. Our task is to increase the mass suitability of honeycomb composite panels through accessory profiles, a large plate stock and delivery of blanks in every quantity.

We were the first and today we are by far the largest A-dealer and sawing company for the Alucore® honeycomb composite panel of 3A composites in Germany. We are a reliable partner for wholesalers, processors and consumers.



**MADE IN GERMANY**





**mejo** *Metall Josten*

[www.mejo.com](http://www.mejo.com)  
[www.mejo.de](http://www.mejo.de)  
[www.alucore.nrw](http://www.alucore.nrw)

Alucore®

**mejo Metall Josten  
GmbH & Co. KG**  
Headquarter / Central Warehouse  
Bublitzer Straße 23  
D-40599 Düsseldorf

Tel.: +49 (0)221 / 9 98 90 - 0  
E-Mail: [cnt@mejo.de](mailto:cnt@mejo.de)